

Medical Gas Check Valve with Extensions



General Specifications:

The valves shall be a 3-Piece design, with a removable body for servicing without cutting or disassembling of lines. Valves are to be provided with type-K copper extensions for connections on the pipeline. The medi-cal gas check valves are designed for working pressures of up to 300 psig [2,068 kPa]

Each check valve assembly shall be washed and degreased for medical gas service as per CGA G-4.1. Pipe stub extensions shall be capped at both ends. The valve shall be supplied in a sealed plastic bag to prevent contamination prior to installation.

NOTE: The Medical Gas Check Valve is recommended to be installed in the horizontal position.

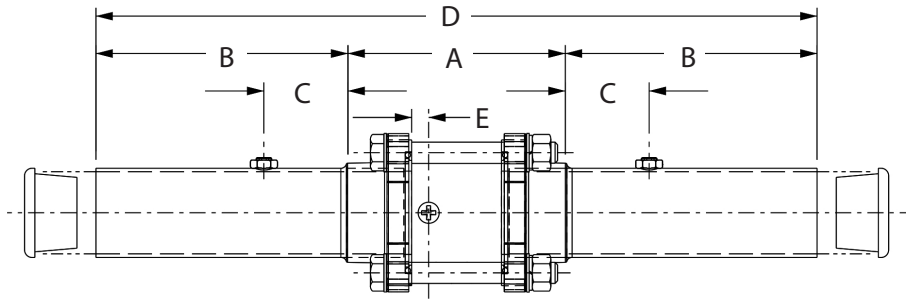
Features:

- Cleaned for medical gas service
- Individually packaged and capped
- Available in sizes ½" to 4"
- 3-piece design for ease of maintenance
- Type-K copper extensions
- Dual gauge port design
- 100% Hydrostatically tested
- Pressure rating up to 300 psig [2.068 kPa]
- Highest CV possible

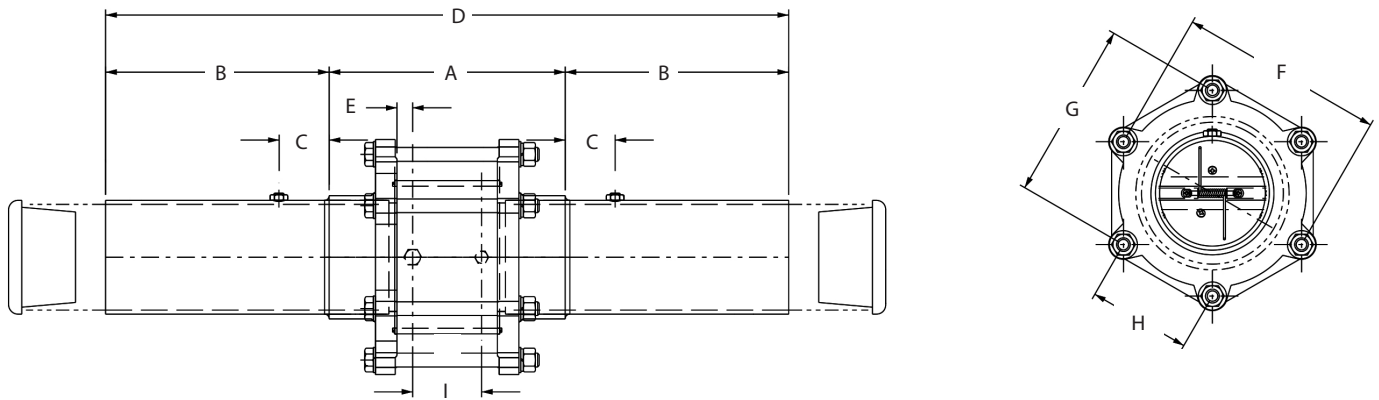
Project

Technical Specifications

1/2" to 2" Valve



2 1/2" to 4" Valve



Model Numbers

MODEL #	VV-CHK3-EXT05	VV-CHK3-EXT07	VV-CHK3-EXT10	VV-CHK3-EXT12	VV-CHK3-EXT15	VV-CHK3-EXT20	VV-CHK3-EXT25	VV-CHK3-EXT30	VV-CHK3-EXT40
SIZE	0.5" [12.7mm]	0.75" [19mm]	1" [25.4mm]	1.25" [41.7mm]	1.5" [38.1mm]	2" [50.8mm]	2.5" [63.5mm]	3" [76.2mm]	4" [101.6mm]
A	3.21" [81.534mm]	3.21" [81.534mm]	3.72" [94.488mm]	4.06" [103.124mm]	4.45" [113.03mm]	5.18" [131.572mm]	6.10" [154.94mm]	6.76" [171.704mm]	8.56" [217.424mm]
B	6" [152.40mm]	6" [152.40mm]	6" [152.40mm]	6" [152.40mm]	6" [152.40mm]	6" [152.40mm]	6" [152.40mm]	8" [203.20mm]	8" [203.20mm]
C	2" [50.8mm]	2" [50.8mm]	2" [50.8mm]	2" [50.8mm]	2" [50.8mm]	2" [50.8mm]	2" [50.8mm]	2" [50.8mm]	2" [50.8mm]
D	15.21" [386.334mm]	15.21" [386.334mm]	15.72" [399.288mm]	16.06" [407.924mm]	16.45" [417.83mm]	17.18" [436.372mm]	18.1" [459.74mm]	22.76" [578.104mm]	24.56" [623.824mm]
E	0.33" [8.382mm]	0.33" [8.382mm]	0.33" [8.382mm]	0.40" [10.16mm]	0.40" [10.16mm]	0.40" [10.16mm]	.5" [12.7mm]	.5" [12.7mm]	.5" [12.7mm]
F	1.43" [36.322mm]	1.43" [36.322mm]	1.62" [41.148mm]	2" [50.8mm]	2.25" [57.15mm]	2.86" [72.644mm]	4.94" [125.476mm]	5.51" [139.954mm]	7.46" [189.484mm]
G	1.43" [36.322mm]	1.43" [36.322mm]	1.62" [41.148mm]	2" [50.8mm]	2.25" [57.15mm]	2.86" [72.644mm]	4.28" [108.712mm]	4.77" [121.158mm]	6.46" [164.084mm]
H	—	—	—	—	—	—	2.47" [62.738mm]	2.75" [69.85mm]	3.73" [94.742"]
I	—	—	—	—	—	—	—	—	2.5" [63.5mm]